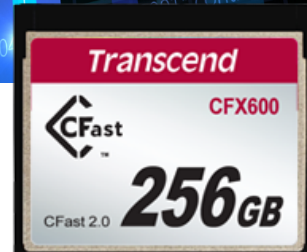


## Embedded Solutions



### CFast Cards

## CFX600

Featuring a SATA III interface, Transcend CFast 2.0 CFX600 Memory Cards boast high data transfer rates and extra large storage capacity. Transcend CFX600 cards can also be used as bootable disks.

### Hardware Features

- Compliant with RoHS 2.0 standards
- Compliant with CFast specification 2.0
- MLC NAND flash
- Durability: 10,000 insertion/removal cycles

### Firmware Features

- Built-in ECC (Error Correction Code) functionality
- Wear-Leveling
- Supports S.M.A.R.T. function to conduct health monitoring, analysis, and reporting for storage devices
- Power-saving DevSleep (Device Sleep) mode

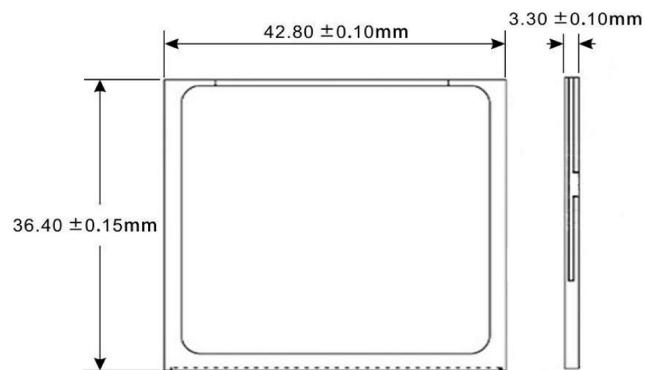
### Ordering Information

16GB	TS16GCFX600
32GB	TS32GCFX600
64GB	TS64GCFX600
128GB	TS128GCFX600
256GB	TS256GCFX600

## Specifications

<b>Appearance</b>	Dimensions	42.8 mm x 36.4 mm x 3.3 mm (1.69" x 1.43" x 0.13")
	Form Factor	Compact flash card
<b>Interface</b>	Bus Interface	SATA III 6Gb/s
<b>Storage</b>	Flash Type	MLC NAND flash
	Capacity	16 GB / 32 GB / 64 GB / 128 GB / 256 GB
<b>Operating Environment</b>	Operating Voltage	3.3V±5%
	Operating Temperature	-5°C (23°F) ~ 70°C (158°F)
	Storage Temperature	-40°C (-40°F) ~ 85°C (185°F)
	Humidity	0% ~ 95%
	Shock	1500 G, 0.5 ms, 3 axis
	Vibration (Operating)	3 G (peak-to-peak), 5 Hz ~ 800 Hz (frequency)
<b>Power</b>	Power Consumption (Max.)	2.05 watt(s)
<b>Performance</b>	Read Speed (Max.)	up to 500 MB/s
	Write Speed (Max.)	up to 350 MB/s
	Mean Time Between Failures (MTBF)	1,000,000 hour(s)
<b>Warranty</b>	Warranty	Three-year Limited Warranty

## Mechanical Dimensions



Product specifications are subject to change without notice. Pictures shown may differ from actual products. Total accessible capacity varies depending on operating environment. Due to the complexity and variety of industrial applications, Transcend cannot guarantee 100% compatibility with all platforms and under all scenarios. For special applications and environments, it is strongly suggested that you contact Transcend beforehand for clarification.