

## Embedded Solutions



### SD Cards

# Industrial Temp SDHC10I SDHC

## Wide Temperature

Manufactured using a 0.16um process controller and high-quality industrial MLC NAND Flash memory, Transcend Industrial Temp SDHC10I cards provide high performance, low power consumption, excellent reliability, and wide operating temperature tolerance.

## Features

- RoHS compliant
- Manufactured with MLC NAND Flash chips for extra endurance and stability
- Compatible with SD Specification Ver. 3.01
- Mechanical write protection switch
- Supports speed class specification up to Class 10
- Support S.M.A.R.T. function

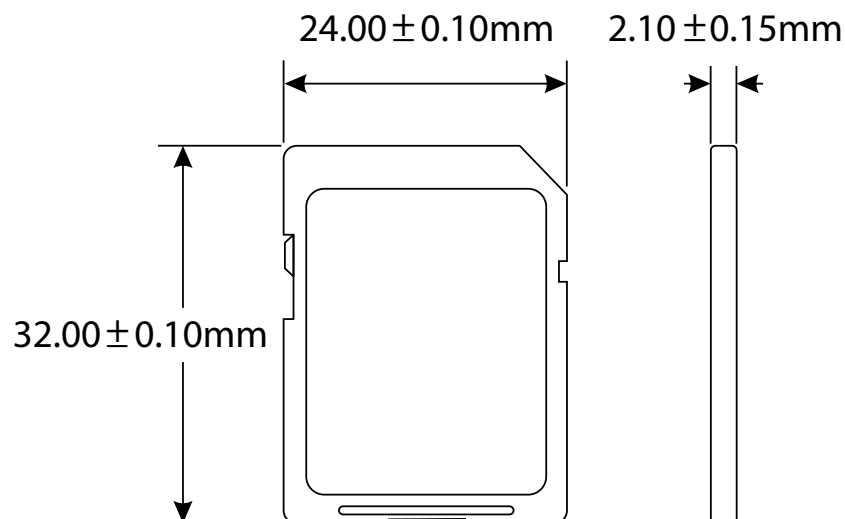
## Ordering Information

8GB	TS8GSDHC10I
16GB	TS16GSDHC10I
32GB	TS32GSDHC10I

## Specifications

Appearance	Dimensions (Max.)	24 mm x 32 mm x 2.1 mm (0.94" x 1.26" x 0.08")
	Form Factor	SD flash card
Storage	Flash Type	MLC NAND flash
	Capacity	8 GB/16 GB/32 GB
Operating Environment	Operating Voltage	2.7V ~ 3.6V
	Drop Test	1.5m free fall
	Operating Temperature	-40°C (-40°F) ~ 85°C (185°F)
	Storage Temperature	-40°C (-40°F) ~ 85°C (185°F)
	Humidity	0% ~ 95%
	Shock	Acceleration: 490 m/s <sup>2</sup> (standard holding time: 11 ms, semi-sine wave, velocity change: 3.44 m/s)
	Vibration (Operating)	20 G (peak-to-peak), 20 Hz ~ 2,000 Hz (frequency)
Power	Power Consumption (Max.)	0.72 watt(s)
Performance	Read Speed (Max.)	22 MB/s
	Write Speed (Max.)	18 MB/s
	Terabytes Written (Max.)	60 TB
Warranty	Certificate	CE/FCC/BSMI
	Warranty	Three-year Limited Warranty
Note	• Speed may vary due to host hardware, software, usage, and storage capacity.	

## Mechanical Dimensions



Product specifications are subject to change without notice. Pictures shown may differ from actual products. Total accessible capacity varies depending on operating environment. Due to the complexity and variety of industrial applications, Transcend cannot guarantee 100% compatibility with all platforms and under all scenarios. For special applications and environments, it is strongly suggested that you contact Transcend beforehand for clarification.



Please feel free to contact us with any special requests you might have.  
Tel: +886-2-2792-8000 [www.transcend-info.com](http://www.transcend-info.com)