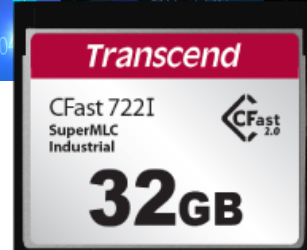


Embedded Solutions



CFast Cards

CFX722I

Transcend's SLC Mode technology is a cost-effective solution that offers performance close to that of SLC NAND flash at a more affordable price. The CFX722I SLC Mode CFast 2.0 cards combine the advantages of high-performance, endurance, and stability. These cards can be used as bootable disks and perform on the level of an SSD at a cost-effective price, especially suitable for industrial-grade applications.

Hardware Features

- Compliant with RoHS 2.0 standards
- Compliant with CFast specification 2.0
- Durability: 10,000 insertion/removal cycles
- Promised operational reliability in a wide temperature range (from -40°C to 85°C)
- High-quality MLC NAND flash and SLC mode for exceptional endurance and reliability

Firmware Features

- Built-in ECC (Error Correction Code) functionality
- Supports S.M.A.R.T. function to conduct health monitoring, analysis, and reporting for storage devices
- Wear-Leveling
- Security Command
- Power-saving DevSleep (Device Sleep) mode

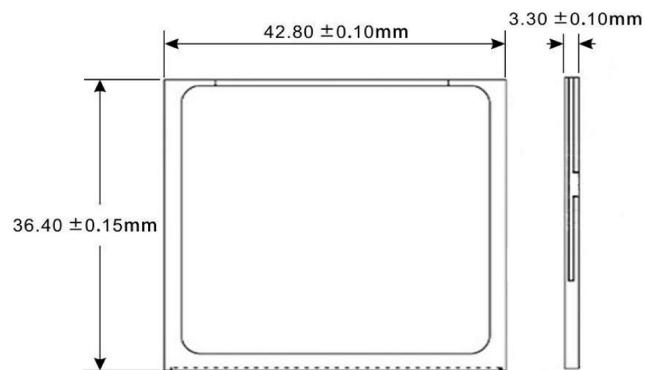
Ordering Information

32GB	TS32GCFX722I
------	--------------

Specifications

Appearance	Dimensions	42.8 mm x 36.4 mm x 3.3 mm (1.69" x 1.43" x 0.13")
	Form Factor	Compact flash card
Interface	Bus Interface	SATA III 6Gb/s
Storage	Flash Type	MLC NAND flash (SLC mode)
	Capacity	32 GB
Operating Environment	Operating Voltage	3.3V±5%
	Operating Temperature	-40°C (-40°F) ~ 85°C (185°F)
	Storage Temperature	-40°C (-40°F) ~ 85°C (185°F)
	Humidity	0% ~ 95%
	Shock	1500 G, 0.5 ms, 3 axis
	Vibration (Operating)	3 G (peak-to-peak), 5 Hz ~ 800 Hz (frequency)
Power	Power Consumption (Max.)	2.01 watt(s)
Performance	Read Speed (Max.)	up to 510 MB/s
	Write Speed (Max.)	up to 355 MB/s
	Mean Time Between Failures (MTBF)	1,000,000 hour(s)
Warranty	Warranty	Three-year Limited Warranty

Mechanical Dimensions



Product specifications are subject to change without notice. Pictures shown may differ from actual products. Total accessible capacity varies depending on operating environment. Due to the complexity and variety of industrial applications, Transcend cannot guarantee 100% compatibility with all platforms and under all scenarios. For special applications and environments, it is strongly suggested that you contact Transcend beforehand for clarification.