

Embedded Solutions



microSD Cards

microSDHC/SDXC430T

Utilizing top-quality 3D NAND flash rated to endure 3K P/E cycles, Transcend's microSDXC/SDHC 430T memory cards combine the advantages of high performance and exceptional endurance at an affordable price. The built-in LDPC ECC function guarantees enhanced reliability, making them ideal for write-intensive applications such as medical devices, surveillance systems, and POS terminals.

Hardware Features

- Compliant with Video Speed Class 30 (V30)
- Compliant with Application Performance Class 2 (A2)
- Endurance: 3K P/E cycles (Program/Erase cycles) guaranteed
- Electrostatic protection (ESD IEC 61000-4-2)
- Supports Transcend Scope Pro software

Ordering Information

| | |
|-------|---------------|
| 32GB | TS32GUSD430T |
| 64GB | TS64GUSD430T |
| 128GB | TS128GUSD430T |
| 256GB | TS256GUSD430T |

Firmware Features

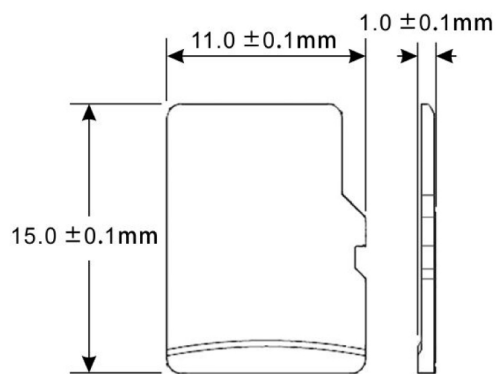
- Built-in LDPC ECC (Error Correction Code) functionality
- Supports S.M.A.R.T. function to conduct health monitoring, analysis, and reporting for storage devices
- Wear-Leveling
- Early Move

*Transcend's microSDXC/SDHC 430T 32GB/64GB cards meet UHS-I Speed Class 1 (U1), Video Speed Class 10 (V10), and Application Performance Class 1 (A1) standards.*Scope Pro is only available when used with the [RDF5](#) card reader.

Specifications

| | | |
|------------------------------|--------------------------|--|
| Appearance | Dimensions | 11 mm x 15 mm x 1 mm (0.43" x 0.59" x 0.04") |
| | Form Factor | microSD flash card |
| Storage | Flash Type | 3D NAND flash |
| | Capacity | 32 GB / 64 GB / 128 GB / 256 GB |
| Operating Environment | Operating Voltage | 2.7V ~ 3.6V |
| | Drop Test | 1.5m free fall |
| | Operating Temperature | Standard Temp. -25°C (-13°F) ~ 85°C (185°F) |
| | Storage Temperature | -40°C (-40°F) ~ 85°C (185°F) |
| | Humidity | 0% ~ 95% |
| | Shock | Acceleration: 490 m/s ² (standard holding time: 11 ms, semi-sine wave, velocity change: 3.44 m/s) |
| | Vibration (Operating) | 20 G (peak-to-peak), 20 Hz ~ 2,000 Hz (frequency) |
| Power | Power Consumption (Max.) | 0.5 watt(s) |
| Performance | Read Speed (Max.) | up to 100 MB/s |
| | Write Speed (Max.) | up to 70 MB/s |
| | Terabytes Written (TBW) | up to 663 TBW |
| Warranty | Certificate | CE / FCC / UKCA |
| | Warranty | Three-year Limited Warranty |

Mechanical Dimensions



Product specifications are subject to change without notice. Pictures shown may differ from actual products. Total accessible capacity varies depending on operating environment. Due to the complexity and variety of industrial applications, Transcend cannot guarantee 100% compatibility with all platforms and under all scenarios. For special applications and environments, it is strongly suggested that you contact Transcend beforehand for clarification.